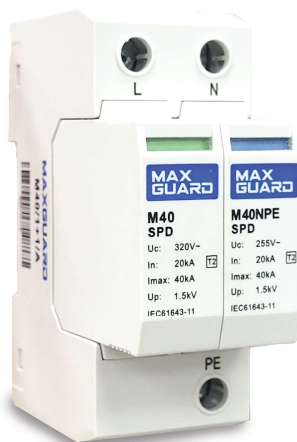


# M40 | 1P + N

## Type 2



### Description

- ▶ Surge protection for Distribution Board (DB)
- ▶ Protection against discharge surge energy.
- ▶ Suitable for TT and TN-S system.



### Applications



### Approval / Marking

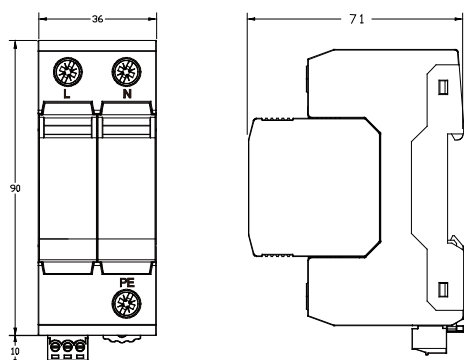


### Technical Parameters

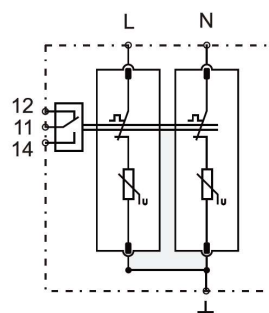
| Models   | M40/1+1                      | M40/1+1/A   |
|--|------------------------------|---|
| Design according to                                      | IEC 61643-11                 | Class II, Type 2  |
| Poles  | 1P + N                       |   |
| Nominal operating voltage (~) $U_n$                      | 230V(50/60Hz)                |   |
| Maximum continuous voltage (~) $U_c$ [L-N/N-PE]          | 320V/255V (50/60Hz)          |   |
| Nominal discharge current (8/20 $\mu$ s) $I_n$ (L-N)     | 20kA                         |   |
| Maximum discharge current (8/20 $\mu$ s) $I_{max}$ (L-N) | 40kA                         |   |
| Voltage protection level $U_P$ (L-N/N-PE)                | $\leq 1.5kV/\leq 1.5kV$      |   |
| Short-circuit current rating (~) $I_{SCCR}$              | 25kA                         |   |
| Maximum disconnecter rating (fuse/MCB)                   | 100A gG/63A                  |   |
| Temporary overvoltage TOV-withstand $U_T$ (L-N)          | 400V/5s                      |   |
| Temporary overvoltage TOV-safe failure $U_T$ (L-N)       | 520V/120min.                 |   |
| Temporary overvoltage TOV-withstand $U_T$ (N-PE)         | 1200V/200ms                  |   |
| Follow current extinguishing capability (~) $U_T$ (N-PE) | 100Arms                      |   |
| Leakage current $I_{PE}$                                 | None                         |   |
| Response time $t_A$                                      | $\leq 25ns/\leq 100ns$       |   |
| Operating temperature range $t_U$                        | -40°C to +80°C               |   |
| Auxiliary Terminal (Remote Signalling)                   | None                         | Terminal 11 & 12: Normally Close [NC]<br>Terminal 11 & 14: Normally Open [NO] |
| Status / Fault indication                                | Green/Blue: ok; Red: Replace |   |
| Structure type   | Modular                      |   |
| Enclosure  | IP20 ; Thermoplastic UL94-V0 |   |

10  
Power

### Dimensions (mm)



### Schematic



# M40 | 3P + N

## Type 2



### Description

- ▶ Surge protection for Distribution Board (DB)
- ▶ Protection against discharge surge energy.
- ▶ Suitable for TT and TN-S system.



### Applications



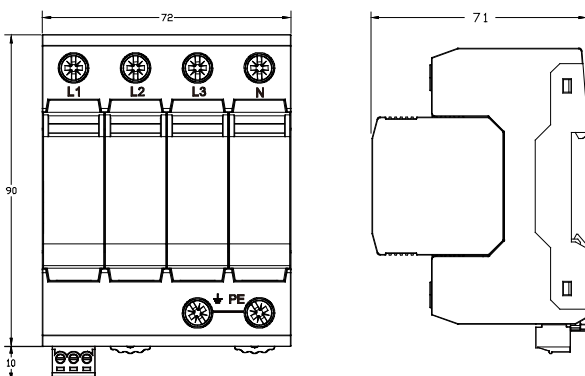
### Approval / Marking



### Technical Parameters

| Models   | M40/3+1                      | M40/3+1/A   |
|--|------------------------------|---|
| Design according to                                      | IEC 61643-11                 | Class II, Type 2  |
| Poles  | 3P + N                       |   |
| Nominal operating voltage (~) $U_n$                      | 230V/400V (50/60Hz)          |   |
| Maximum continuous voltage (~) $U_c$ (L-N/N-PE)          | 320V/255V (50/60Hz)          |   |
| Nominal discharge current (8/20 $\mu$ s) $I_n$ (L-N)     | 20kA                         |   |
| Maximum discharge current (8/20 $\mu$ s) $I_{max}$ (L-N) | 40kA                         |   |
| Voltage protection level $U_P$ (L-N/N-PE)                | $\leq 1.5kV/\leq 1.5kV$      |   |
| Short-circuit current rating (~) $I_{SCCR}$              | 25kA                         |   |
| Maximum disconnecter rating (fuse/MCB)                   | 100A gG/63A                  |   |
| Temporary overvoltage TOV-withstand $U_T$ (L-N)          | 400V/5s                      |   |
| Temporary overvoltage TOV-safe failure $U_T$ (L-N)       | 520V/120min.                 |   |
| Temporary overvoltage TOV-withstand $U_T$ (N-PE)         | 1200V/200ms                  |   |
| Follow current extinguishing capability (~) $U_T$ (N-PE) | 100Arms                      |   |
| Leakage current $I_{PE}$                                 | None                         |   |
| Response time $t_a$                                      | $\leq 25ns/\leq 100ns$       |   |
| Operating temperature range $T_u$                        | -40°C to +80°C               |   |
| Auxiliary Terminal (Remote Signalling)                   | None                         | Terminal 11 & 12: Normally Close [NC]<br>Terminal 11 & 14: Normally Open [NO] |
| Status / Fault indication                                | Green/Blue: ok; Red: Replace |   |
| Structure type   | Modular                      |   |
| Enclosure  | IP20 ; Thermoplastic UL94-V0 |   |

### Dimensions (mm)



### Schematic

